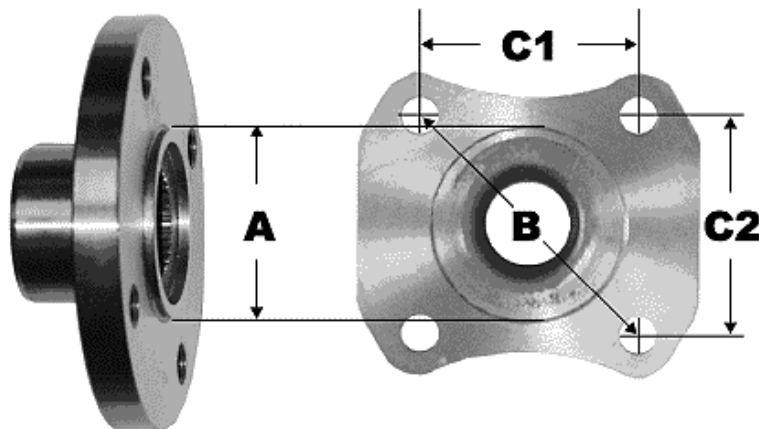


Choice #2 - Flanges



How To Measure:

Measure the pilot diameter dimension (A). Measure bolt circle diameter (B). Measure chord lengths (C1 & C2). Determine if bolt holes on the flange attached to the drive shaft are threaded or non-threaded.

Flange Choices:

F0	F0 FLANGE FOR 1210 SERIES U-JOINT	A=2"	B=3.5"	C=2.5"
F1	F1 FLANGE FOR 1310 SERIES U-JOINT	A=2"	B=3.5"	C=2.5"
F2	F2 FLANGE FOR 1310 SERIES U-JOINT	A=2"	B=4.25"	C=3"
F3	F3 FLANGE FOR 1330 SERIES U-JOINT	A=2"	B=4.25"	C=3"
F4	F4 FLANGE FOR 1350 SERIES U-JOINT	A=2"	B=4.25"	C=3"
F5	F5 FLANGE FOR 1350 SERIES U-JOINT	A=2.688"	B=4.25"	C=3"
F5T	F5 FLANGE FOR 1350 SERIES U-JOINT THREADED BOLT HOLES	A=2.688"	B=4.25"	C=3"
F6	F6 FLANGE FOR 1350 SERIES U-JOINT	A=2.75"	B=3.75"	C1=2.875" C2=2.406"
F7	F7 FLANGE FOR 1410 SERIES U-JOINT	A=2.75"	B=3.75"	C1=2.875" C2=2.406"
F8	F8 FLANGE FOR 1410 SERIES U-JOINT	A=2.688"	B=4.25"	C=3"
F8T	F8 FLANGE FOR 1410 SERIES U-JOINT THREADED BOLT HOLES	A=2.688"	B=4.25"	C=3"
DIN	LAND ROVER or EARLY JEEP FLANGE FOR 1310 SERIES U-JOINT	A=2.375"	B=3.125"	C1=2" C2=2.375"
GM1	GM1 SAGINAW FLANGE FOR 3R SERIES U-JOINT	A=3.125"	B=4.25"	C=3"
GM2	GM2 SAGINAW FLANGE FOR 1310 SERIES U-JOINT	A=3.125"	B=4.25"	C=3"
GM3	GM3 SAGINAW FLANGE FOR 1330 SERIES U-JOINT	A=3.125"	B=4.25"	C=3"
S1	SUZUKI 1ST DESIGN FLANGE	A=1.774"	B=3.13"	C1=2.225" C2=2.225"
S2	SUZUKI 2ND DESIGN FLANGE	A=1.774"	B=3.35"	C1=2.375" C2=2.375"
LC1	LAND CRUISER 1ST DESIGN 3 SPEED FLANGE FOR 1310 SERIES U-JOINT 10 MM BOLT HOLES	A=1.812"	B=3.375"	C1=2.225" C2=2.55"
LC2	LAND CRUISER 2ND DESIGN 4 SPEED CV FLANGE FOR 1310 SERIES U-JOINT 11.5 MM BOLT HOLES	A=1.812"	B=3.575"	C1=2.71" C2=2.375"
T1	TOYOTA TRUCK 1ST DESIGN FLANGE FOR 1310 SERIES U-JOINT 8MM HOLES	A=1.812"	B=3.35"	C1=2.225" C2=2.52"
TA1	TOYOTA TRUCK 1ST DESIGN CV FLANGE FOR 1310 SERIES U-JOINT 8 MM HOLES	A=1.812"	B=3.58"	C1=2.75" C2=2.375"
T2	TOYOTA TRUCK 2ND DESIGN FLANGE FOR 1310 SERIES U-JOINT 10MM HOLES	A=1.812"	B=3.35"	C=2.375"
Ta2	TOYOTA TRUCK 2ND DESIGN CV FLANGE FOR 1310 SERIES U-JOINT 10MM HOLES	A=1.812"	B=3.58"	C1=2.725" C2=2.375"